

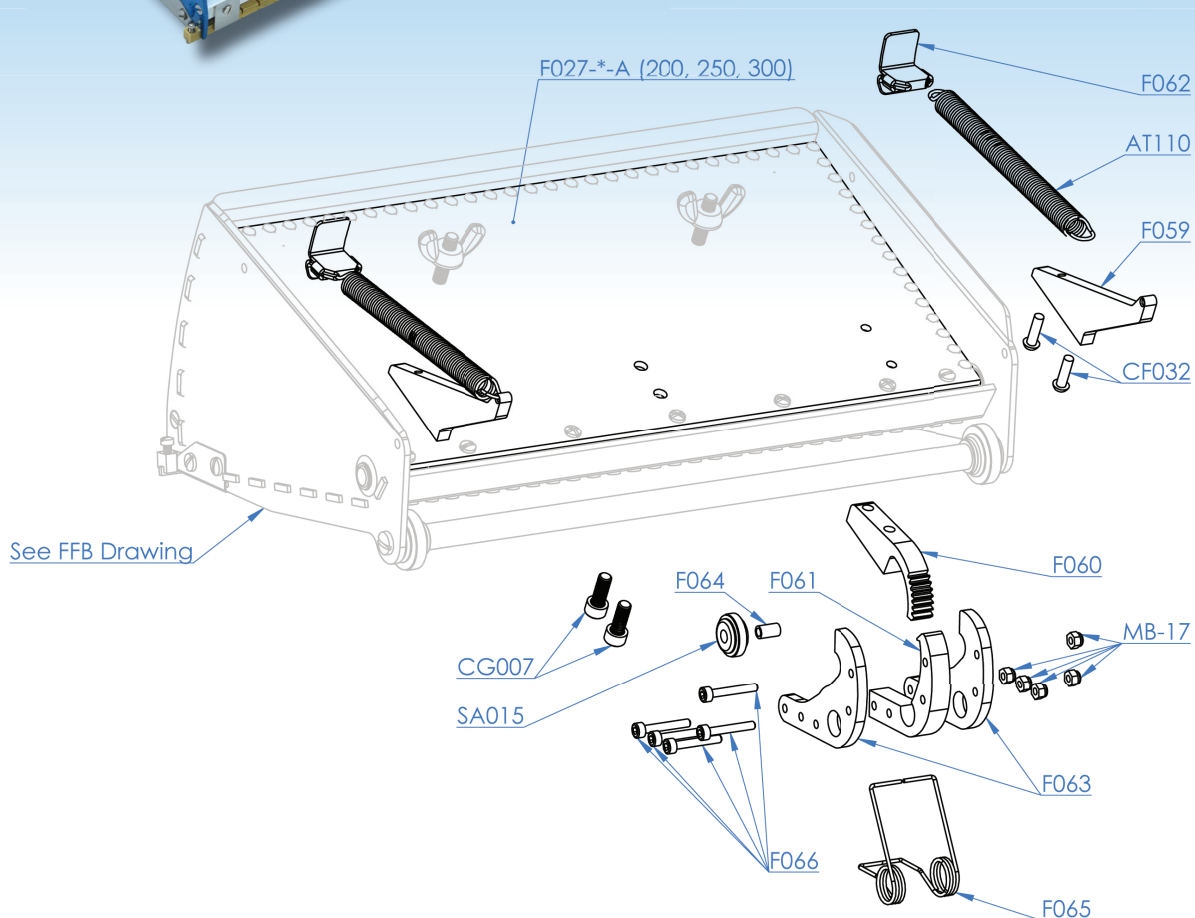
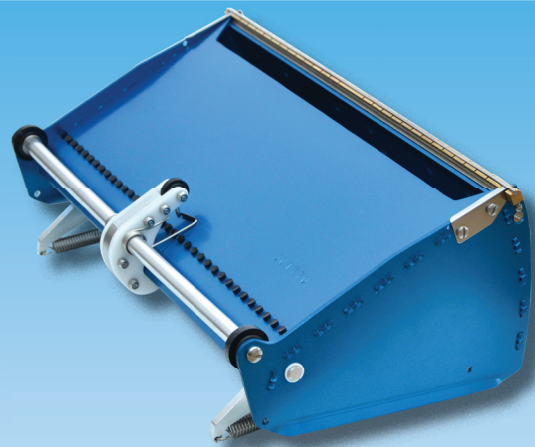
Booster Automatic Boxes

The Tapepro Booster Auto Boxes have a spring loaded pressure plate which helps force the joint compound out making them easier to use.

The spring power is controlled by a ratchet mechanism which is released when the box is placed on the wall, and re-engages when you sweep the box off the wall.

This reduces the effort required and makes high or out of position joints much easier to fill.

Code: AB-200, 250, 300





LOADING THE TAPEPRO AUTO BOXES

To fill the flat box with a loading pump:

First attach a flat box handle. Holding the flat box, pull back on the handle to open the pressure plate (lid). The ratchet mechanism will engage and hold the lid open. Fill the box as usual using the FBF attachment.

To fill by hand:

Release the springs by gripping the spring hook tab and pulling forward. Open the lid fully and fill the flat box by hand. Reattach the springs when full.

USING THE TAPEPRO AUTO BOXES

Apply the handle brake for control and position the flat box on the wall/ceiling joint. Put the blade on the wall first then rock the box back onto the wheels to disengage the ratchet. This allows the springs to exert pressure on the lid, making it easier to apply compound.

Release the handle brake and run the box as normal, ensuring that the wheels remain in contact with the wall.

Sweep the box off the wall by applying the handle brake and raising the wheels. This allows the ratchet to re-engage and stops the spring pressure. Allow 30 cm extra sweep to use some of the retained joint compound.

CLEANING

Your Tapepro Auto Box should be cleaned after every use to maximise lifespan and maintain optimal performance, using water and a stiff brush.

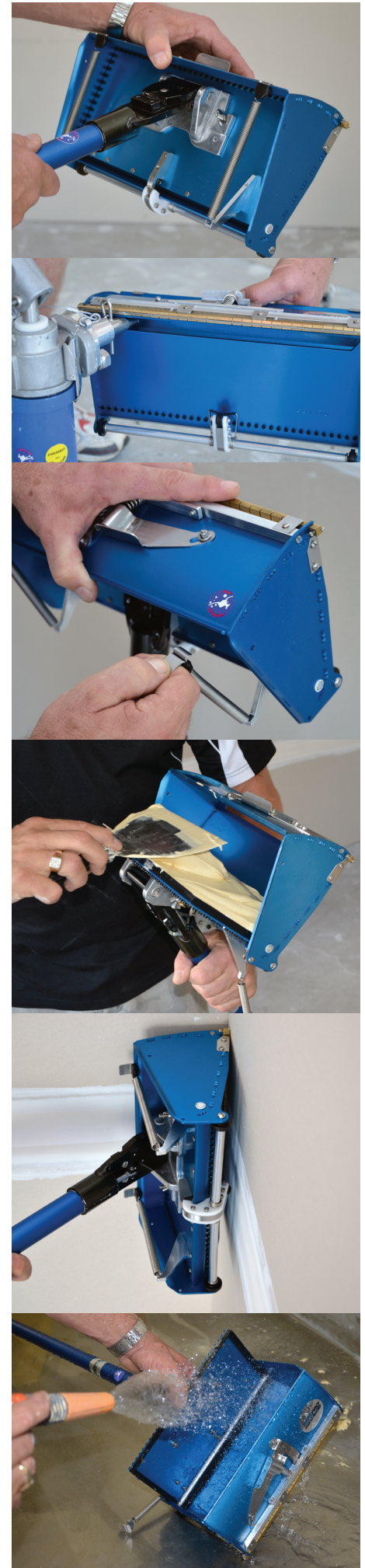
MAINTENANCE

Lubricate as necessary with a silicone spray lubricant.

All replacement parts are available from your local plasterboard distributor or Tapepro Drywall Tools.

For your nearest distributor please visit our website:

www.tapepro.com or call Tapepro Drywall Tools on +61 7 5520 6022.



For further information contact: TAPEPRO DRYWALL TOOLS: 2/44 Dover Drive; West Burleigh QLD 4220 Australia
Phone: +61 7 5520 6022 | Fax: +61 7 5520 5973 | Email: info@tapepro.com | Website: www.tapepro.com