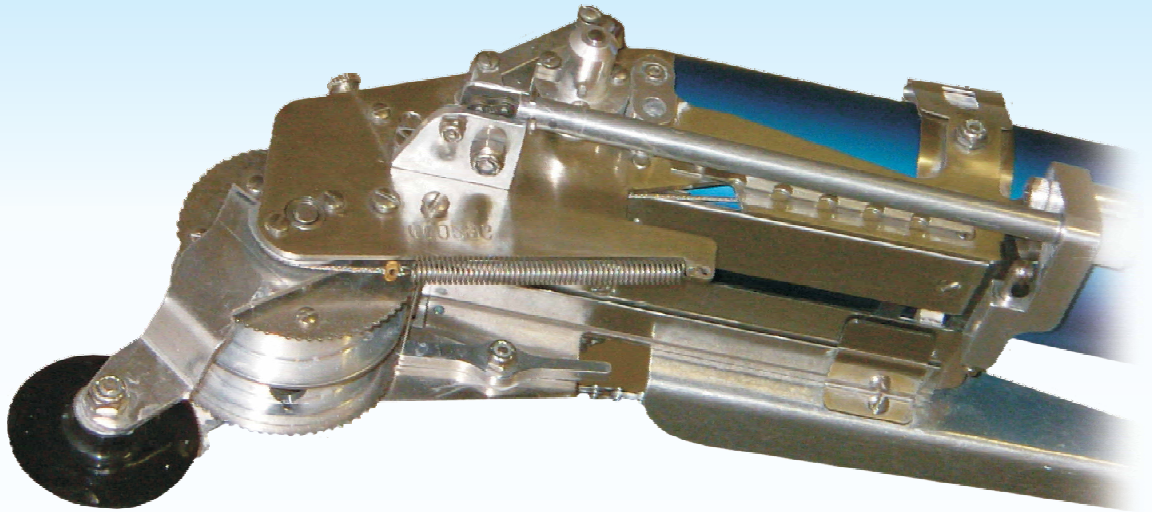


***TAPE*PRO**

DRYWALL* *TOOLS



TAPEPRO AUTOMATIC TAPER

TAPEPRO AUTOMATIC TAPER

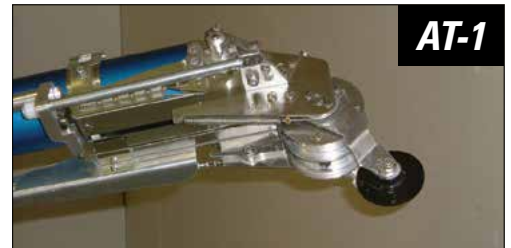
The Tapepro Automatic Taper simultaneously applies paper tape and the correct amount of joint compound to recess and butt joints. The Tapepro Automatic Taper can be used on all flat joints and 90° internal angles.

BEFORE USE

- > Ensure that the Tapepro Automatic Taper is free from any dry joint compound.
- > Check that the creaser wheel moves freely by engaging the creaser trigger. **(AT-1 & AT-2)**

USING THE TAPEPRO AUTOMATIC TAPER

1. Load the paper tape by first removing the retainer wire and placing the roll of tape onto the spindle. To ensure that the tape does not twist when feeding into the head, load the tape so the unwind is clockwise as you look at the roll. **(AT-3)**
2. Feed the paper tape through the tape guide into the head of the taper until it is at least 20mm past the needle. Lift the control tube up and feed through and out of the head of the machine. **(AT-4)**
3. Close the gate valve on the taper by lifting the lever. **(AT-5)**
4. Attach the gooseneck to the loading pump. Pump joint compound through the gooseneck.
5. Insert the filler valve on the taper into the gooseneck seat. **(AT-6)** Place two fingers in the end of the tube and stop pumping when the plunger touches your fingers. This will avoid the plunger cable breaking. **(AT-7)** It should take 8-9 pumps to load the taper.
6. Open the gate valve by pushing the lever down. **(AT-8)**
7. Advance 100mm of tape and the compound by turning the drive dog wheel. **(AT-9 & AT-10)**
8. Hold the taper with one hand on the control tube and the other at the bottom of the compound tube.
9. Start taping all vertical joints first, then horizontal joints. On all joints make sure the head of the taper is leading and the tape wheels are turning at all times. **(AT-11 & AT-12)** This will reduce the chance of tape drag therefore avoiding dry spots under the tape.



10. To cut, stop the head approximately 100mm from the end of the joint and pull down on the control tube. Once the tape is cut release the control tube forward to the middle position as you continue to push the drive wheels forward on the wall.
11. To tape internal joints both wheels must be engaging on the wall and the taper must bisect the angle. Lift the taper up the angle with the creaser wheel extended. The creaser wheel will simultaneously embed the tape and crease the paper. **(AT-13 & AT-14)**
12. When taping a ceiling run the taper on one wheel to avoid joint compound being squeezed out from under the tape.

Tip: Always ensure positive pressure of the drive wheels is on the wall. When the drive wheels turn the correct amount of compound will fill through the head onto the paper tape. If the wheels do not continually turn there will be dry areas under the tape.

CLEANING

Your Tapepro Automatic Taper should be cleaned after every use to maximise lifespan and maintain optimal performance.

1. Remove excess joint compound from the tube by turning the gate valve key and emptying the compound into a bucket.
2. Remove the cover plate from the taper head and thoroughly clean the head with a stiff brush and pressure hose. **(AT-15)**
3. Ensure all joint compound is removed from outer parts of the taper. **(AT-16)**
4. Finally fully remove the head and thoroughly clean the compound tube. **(AT-17)**

MAINTENANCE

All replacement parts are available from your local plasterboard distributor or Wallboard Tool Company. For your nearest distributor please call Wallboard Tool Company on 1300 653 177 or visit our website at www.wallboardtools.com.au.

WARRANTY

All manufacturing faults are covered under the warranty. All non wear parts are covered under a 3 year warranty.





AT-12



AT-13



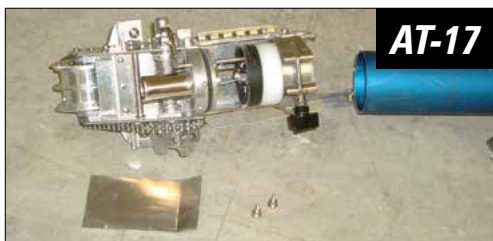
AT-14



AT-15



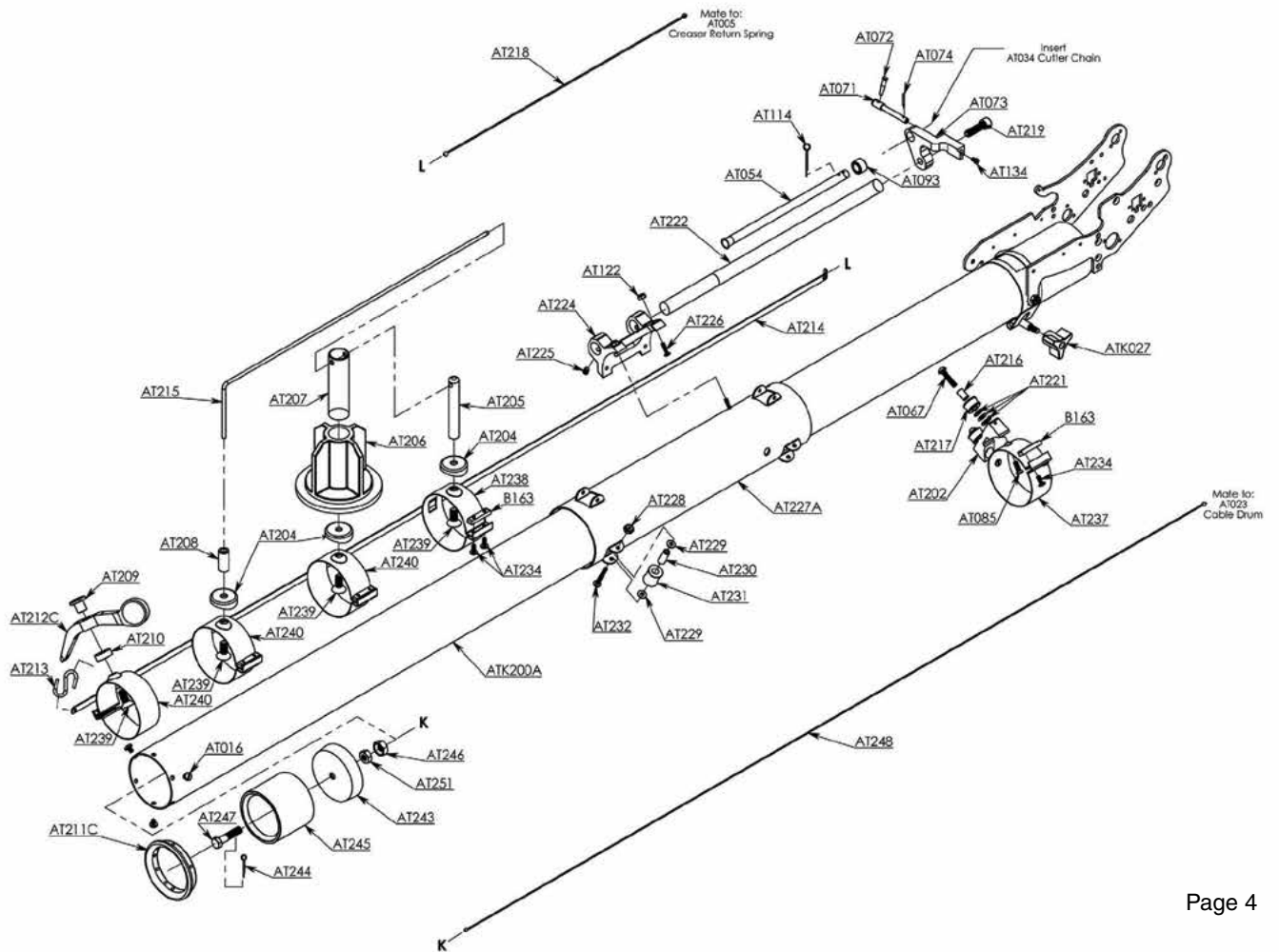
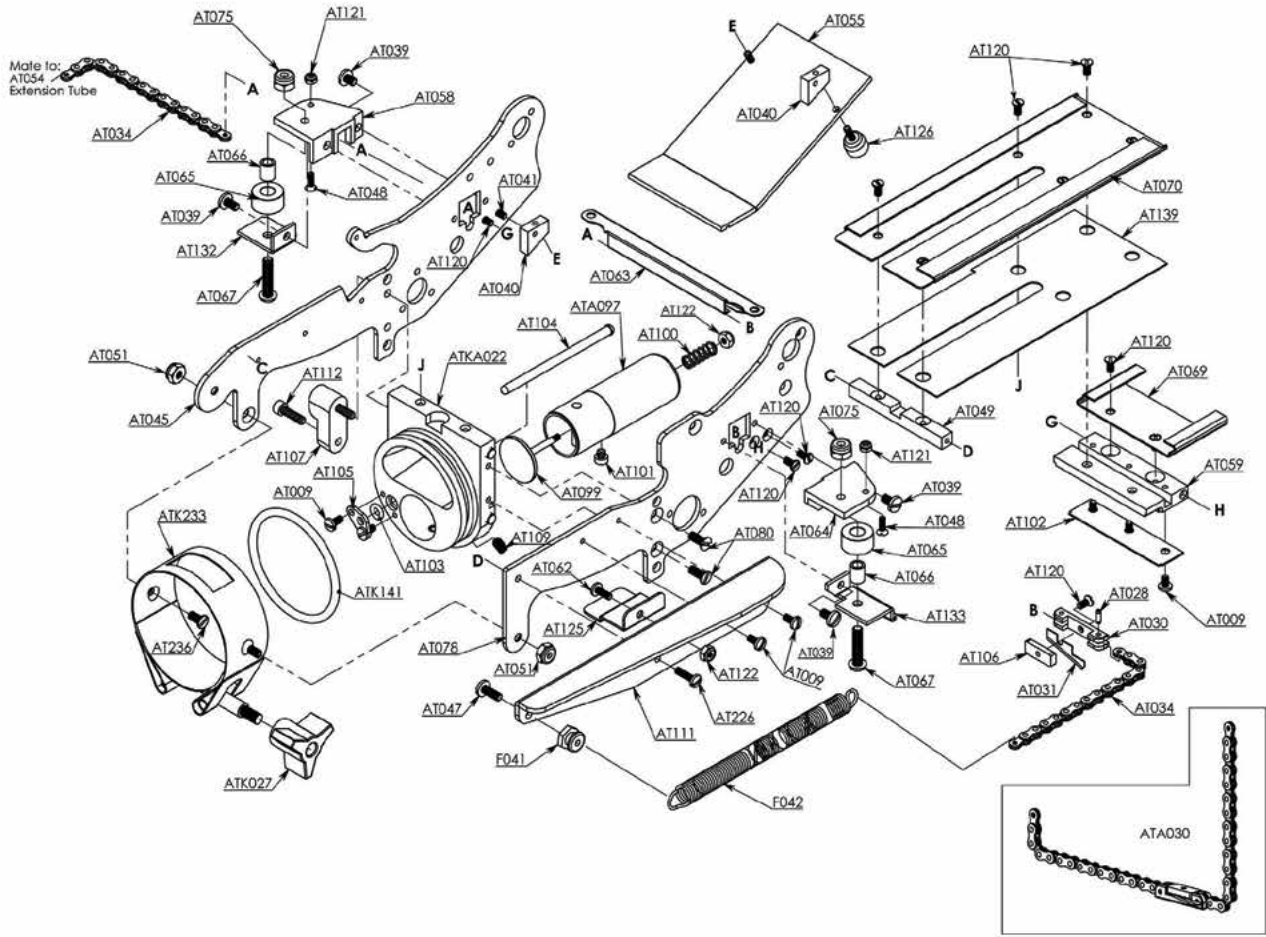
AT-16

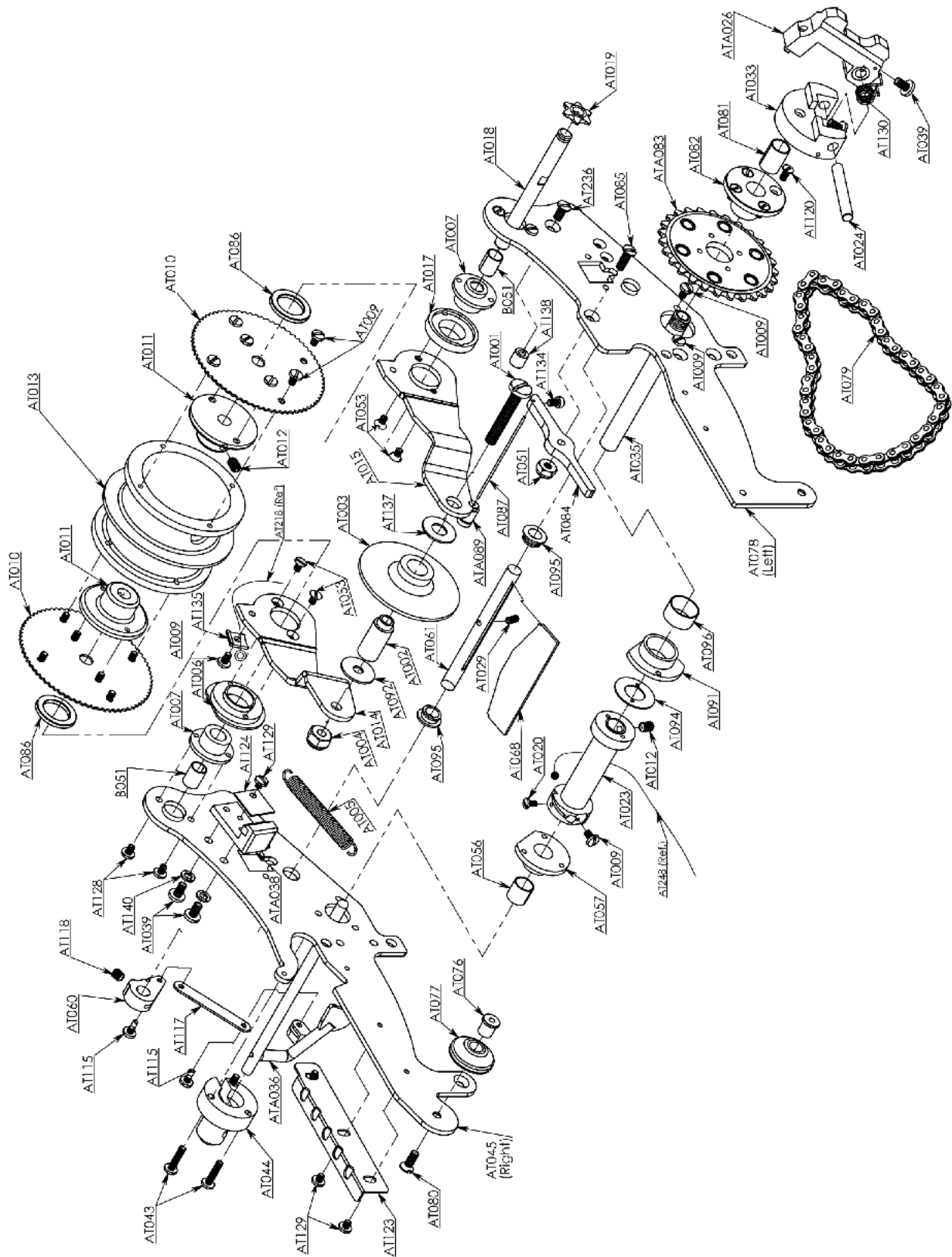


AT-17

AUTOMATIC TAPER TROUBLESHOOTING

PROBLEM	CAUSE	SOLUTION
Compound leaking from head when filling.	Gate is open.	Ensure disengaging lever is fully forward (shutting the gate) when filling.
Taper will not fill.	Axle holder lever is engaged.	Ensure axle holder lever is disengaged allowing the tape wheel to run freely.
Tape dragging, taper difficult to use, tape application dry.	Compound is not at the correct consistency.	If compound in powder form: Mix to the manufacturers specifications. If compound premix: Mix with water at ratio of 20lb compound to 1.5 cups of water
Tape falling off wall/ceiling	Compound too thin	Mix compound to a thicker gauge.
Compound spread from both sides of tape, tape slipping.	Taper held too flat to surface.	Taper should be held at a slight angle to surface and pressure applied mainly to one side of the tape wheel. On walls the bottom edge of the tape should be pressed in against the wall, the top edge is then bedded in by hand.
Taper leaving blisters	Pump seals could need replacing allowing air to be pumped into the taper, causing blisters.	Replace pump seals.
	The backup roller (ATA089) is not engaged or damaged, allowing the tape wheel to roll backwards, letting air into the tool.	Make sure the backup roller is engaging, replace if damaged.
Compound leaking from end of taper tube	Plunger seal worn/damaged.	Replace plunger seal.
Tape wheel turns but compound does not come out	Cable is broken.	Replace cable.
Tape falling out	The tape guide support (AT125) needs to be adjusted.	Replace parts/return to Wallboard Tools for service/repair.
Tape not feeding	Feed needle damaged	Replace needle.
	Rubber engaging lever damaged or deteriorated.	Replace parts/return to Wallboard Tools for service/repair.
	Control tube needs adjusting.	Replace parts/return to Wallboard Tools for service/repair.
	Roller and bushings need replacing.	Replace roller & bushes.
	Tape feed area jammed with paper tape or plaster.	Clean tape feed area thoroughly removing any paper tape or dry compound.
Tape ripping when trying to cut.	Cutter blade blunt or damaged.	Replace cutter blade.





TAPEPRO

DRYWALL TOOLS

For further information contact: WALLBOARD TOOL COMPANY PTY LTD: PO BOX 2508 Burleigh MDC QLD 4220 Australia.
 Telephone: 1300 653 177 Facsimile: 1300 657 442 Email: sales@wallboardtools.com.au Website: www.wallboardtools.com.au