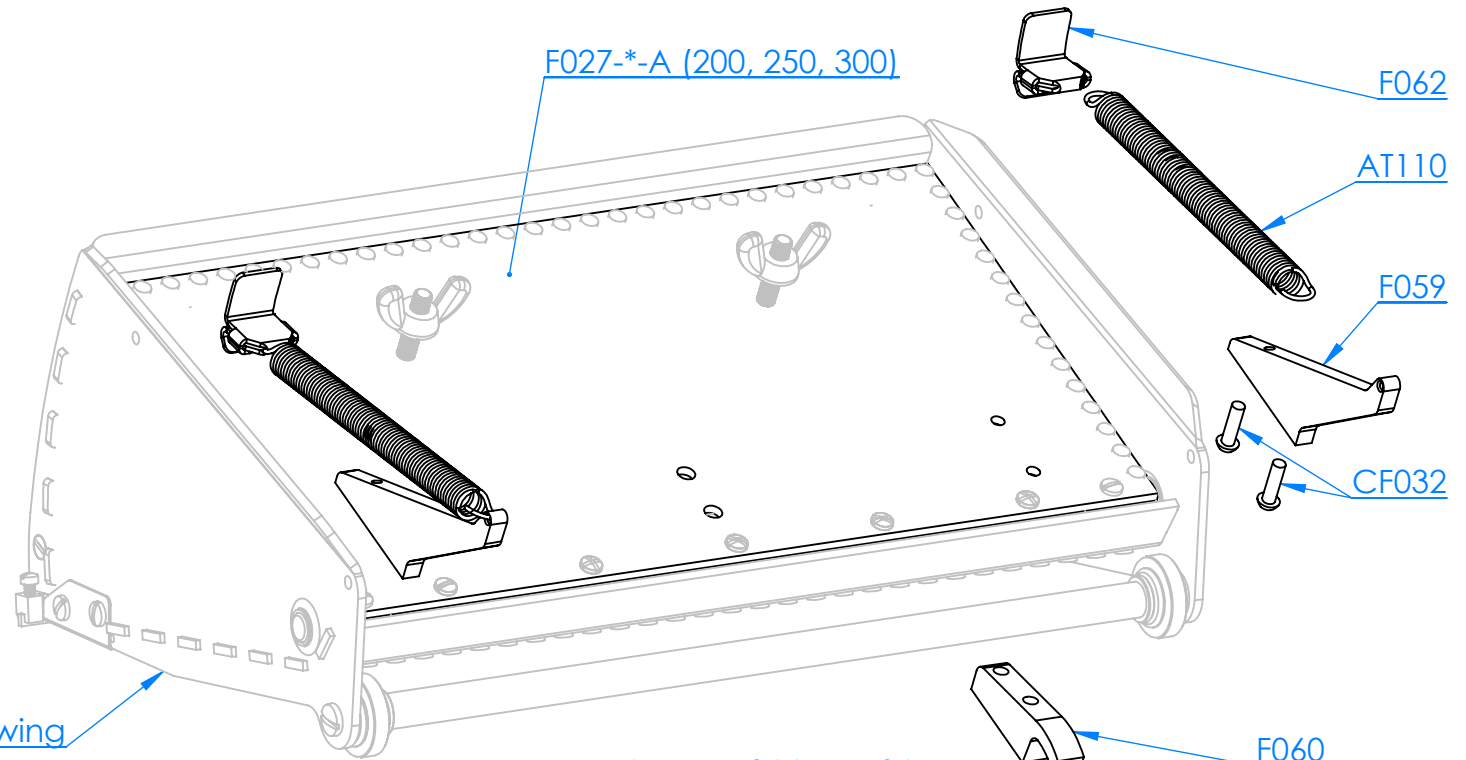
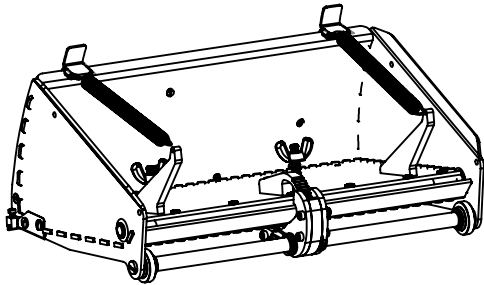


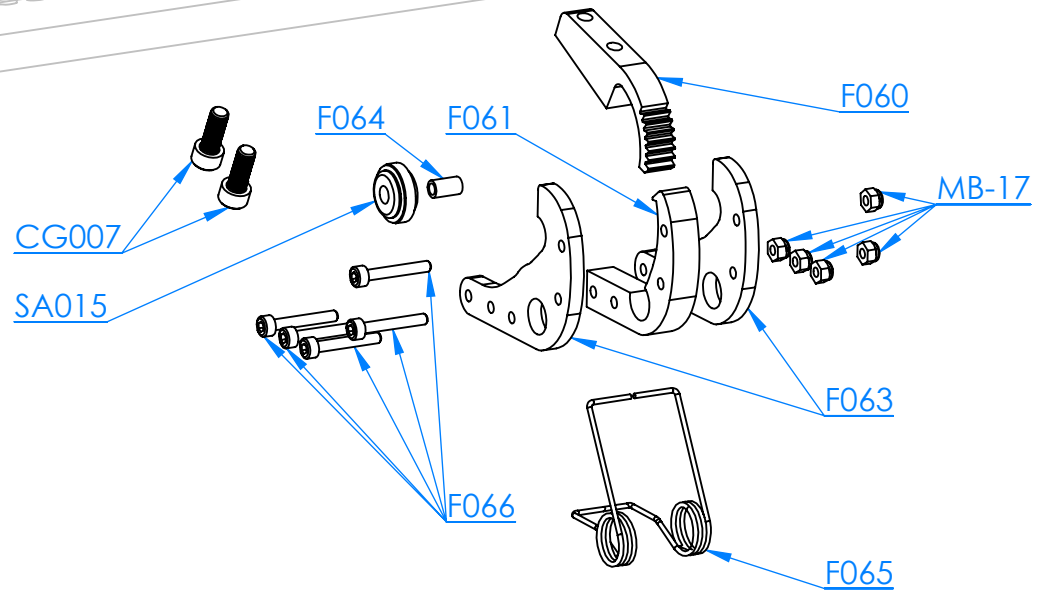
TAPEPRO

DRYWALL TOOLS

AB-200, 250, 300
Booster Automatic Box



Part #	DESCRIPTION	QTY.
AT110	Spring	2
CF032	6-32 BHCS SS	4
CG007	10-32 X 1/2" SHCS SS	2
F059	Spring Hanger	2
F060	Arc	1
F061	Pawl	1
F062	Spring Hook	2
F063	Side Plate	2
F064	Wheel Bush	1
F065	Torsion Spring	1
F066	M3 x 20 SHCS SS	5
MB-17	M3 Nut	5
SA015	NS Wheel Assy	1



Effective as at 3 May 13