



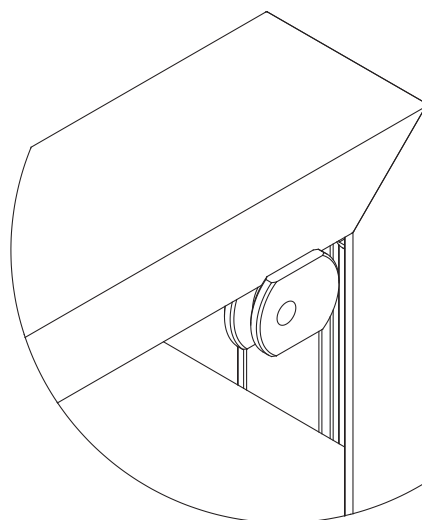
AMF THERMATEX® LINE MODERN

- AMF THERMATEX® Line Modern is a pre-assembled aluminium framed wall absorber with a standard white, laminate surface finish. It can also be ordered in a variety of colours or customised printed motifs on request
- Customise and enhance the visual appearance and acoustic ambience in any space
- The wall panel is delivered in one piece and is quick and easy to install using eccentric screws and installation key



Thickness (mm)		43																																										
Dimensions (mm)		1200 x 600 1200 x 1200 1800 x 1200 2400 x 1200																																										
System		Eccentric bracket																																										
Weight		9.4 kg/m ²																																										
Colour & design		Frame: anodised aluminium, white, RAL colours Line Modern Classic: laminate, white Line Modern Colour: laminate, black, silver, blue, green, yellow, cream, red, orange and grey Line Modern Exclusive: laminate with graphic print																																										
Sound absorption		<p>EN ISO 354</p> <table border="1"> <thead> <tr> <th>Frequency f (Hz)</th> <th>125</th> <th>250</th> <th>500</th> <th>1000</th> <th>2000</th> <th>4000</th> </tr> </thead> <tbody> <tr> <td>Equivalent Absorption Area Aobj*</td> <td></td> <td></td> <td></td> <td></td> <td></td> <td></td> </tr> <tr> <td>1200 x 600mm</td> <td>0.20</td> <td>0.60</td> <td>1.00</td> <td>0.90</td> <td>0.80</td> <td>0.90</td> </tr> <tr> <td>1200 x 1200mm</td> <td>0.50</td> <td>1.10</td> <td>1.60</td> <td>1.50</td> <td>1.50</td> <td>1.50</td> </tr> <tr> <td>1800 x 1200mm</td> <td>0.60</td> <td>1.90</td> <td>2.50</td> <td>2.40</td> <td>2.20</td> <td>2.40</td> </tr> <tr> <td>2400 x 1200mm</td> <td>1.10</td> <td>2.20</td> <td>3.10</td> <td>3.10</td> <td>3.00</td> <td>3.10</td> </tr> </tbody> </table> <p>*Values shown are the average of the 3 one third octave band values</p>	Frequency f (Hz)	125	250	500	1000	2000	4000	Equivalent Absorption Area Aobj*							1200 x 600mm	0.20	0.60	1.00	0.90	0.80	0.90	1200 x 1200mm	0.50	1.10	1.60	1.50	1.50	1.50	1800 x 1200mm	0.60	1.90	2.50	2.40	2.20	2.40	2400 x 1200mm	1.10	2.20	3.10	3.10	3.00	3.10
Frequency f (Hz)	125	250	500	1000	2000	4000																																						
Equivalent Absorption Area Aobj*																																												
1200 x 600mm	0.20	0.60	1.00	0.90	0.80	0.90																																						
1200 x 1200mm	0.50	1.10	1.60	1.50	1.50	1.50																																						
1800 x 1200mm	0.60	1.90	2.50	2.40	2.20	2.40																																						
2400 x 1200mm	1.10	2.20	3.10	3.10	3.00	3.10																																						
Light reflectance		Up to 88%																																										
Humidity resistance		95%																																										
Cleanability																																												
Sustainability																																												

Detail: Eccentric bracket



Products may vary from country to country. Please contact your local sales representative.
For further information and legal notice, please visit our website.